



Hubertus Pilates

Hubertus Pilates machines

Manufacturing Pilates machines in Iran

Feel your body with Hubertus Pilates machines

Since 2009



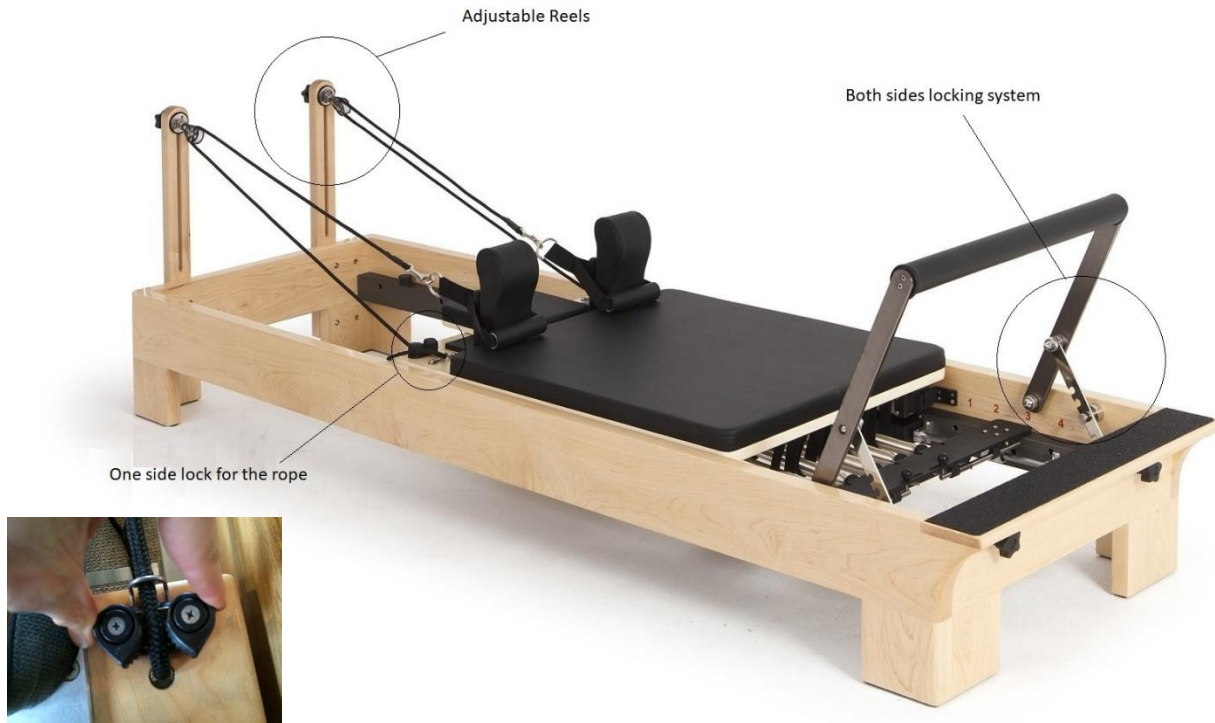
about us:

Noavaran commercial Company was established in 2009 by management of Zarei Brothers. The perspective of the Noavaran Co. from the first step was to pursuit new ideas and new products. Thus, in year 2011 this company began to import Pilates equipment from China to Iran. Unfortunately, in that year, rarely anyone in Iran was aware of the Pilates machines. Therefore, the company was forced to re-export fifty sets of devices to Turkey. according to the field of work of the collection (mechanical engineering) as well as previous scientific knowledge, patents, honors and international medals obtained from the Switzerland and Germany by the management of the complex, the company start Reverse engineering of these machines by the preparation of a three-dimensional map (with SoildWork). Finally, in 2013 the first Hubertus branded Pilates equipment was manufactured in Iran. In 2017, this company has brought its products into massive state and has been operating on the inside and outside markets to sell the Pilates machines. As a matter of fact, having a huge bug between Iran and other countries currency values, Hubertus Pilates Company tried to alter this situation to a positive point. In a way, that produce high quality Pilates machine with half price.





Reformer



- Produced by high quality American and German woods
- Three layers of special color making the machines waterproof and uncrackable
- Using special materials for tiers of carriage makes this machine a silent Reformer
- One side locking system for the rope
- Standard spring with five different hardness Red, Blue, Yellow, Black and White
- Wide jumping board designed for comforting the athlete



Reformer with Tower



This product is mixed form of Reformer and wall unite that comes together, and makes the Reformer with wall machine

- Height of machine can be produced in two different standard size.
- In addition to 5 springs of normal reformer this machine has four extra springs on wall unite.
- "Box" Is an optional choice for all machines



Reformer with full trapeze



Reformer with full trapeze is manufactured to do some Cadillac machine's tasks on it.

- In addition to 5 springs of normal reformer this machine has 6 extra springs on which are for legs, arms and push thru bar.



Reformer-Combo





Reformer Combo is mixed form of Reformer and Cadillac machines, it is recommended for people who has small studios. They can have one combo- reformer instead of a Reformer and a Cadillac

- Athlete can easily remove the shoulder holders from the carriage, and put the combo one. Now enjoy your Cadillac
- Bow is an option for this machine.





Cadillac



- This machine has the same quality as mentioned above for woods, springs and pipes
- Cadillac has 8 standard spring on it.



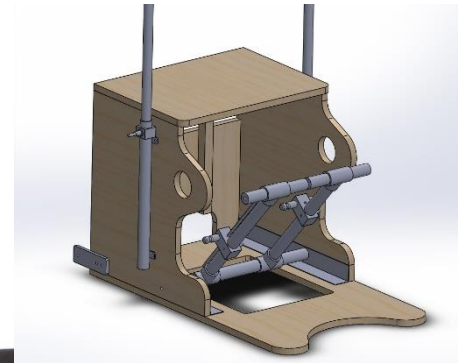
Ladder Barrel



- Easy movement of Barrel part can be one of the special points of this machine
- Firm and hard structure is warranting the balanced and unbalanced positions on it.



Wunda Chair



- Static and firm structure
- 4 position for springs with different hardness
- 4 position for arms of machine
- easy movements with tires



Spine Corrector



- Standard spine size will sure athlete to use this machine with confidence
- Full wooden and firm structure.
- Unscratched and water proof color

Contact us:

Address: No. 80 – Niknam alley – Solmaz industrial street- Tabriz – Iran

Tel: +98 914 9191832 (whatsapp- telegram)

Instagram: Pilatesmachine_Hubertus

All rights reserved, Hubertus pilates, 2019

Since 2009



Feel your body with Hubertus Pilates Machines